

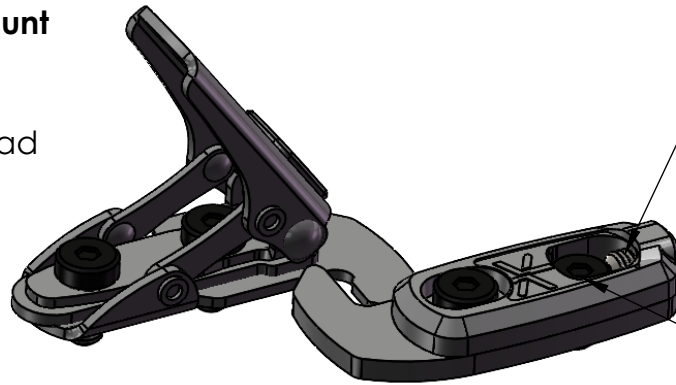
## UltraClip 2.0 Hardware Options

Assembly and Use Instructions

### M5 Coarse Thread Top Mount

**6x**  M5x10mm Thin Socket Caphead

**2x**  M5x8mm Thin Socket Caphead



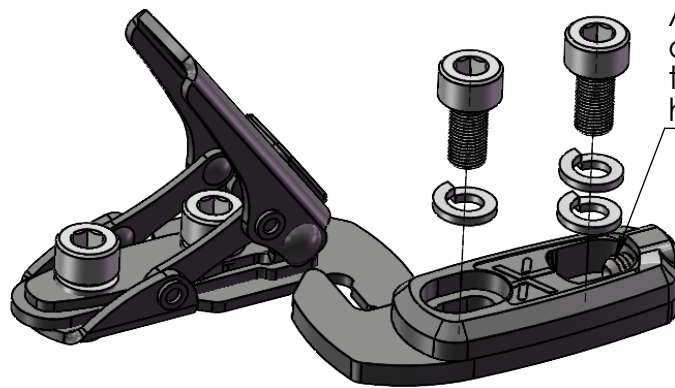
Adjust set screw to desired tension, then tighten hook hardware

M5x8mm Thin Socket Caphead

### M5 Fine Thread Top Mount

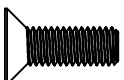
**8x**  M5-.5 x10mm Socket Caphead

**10x**  M5 Lock Washer



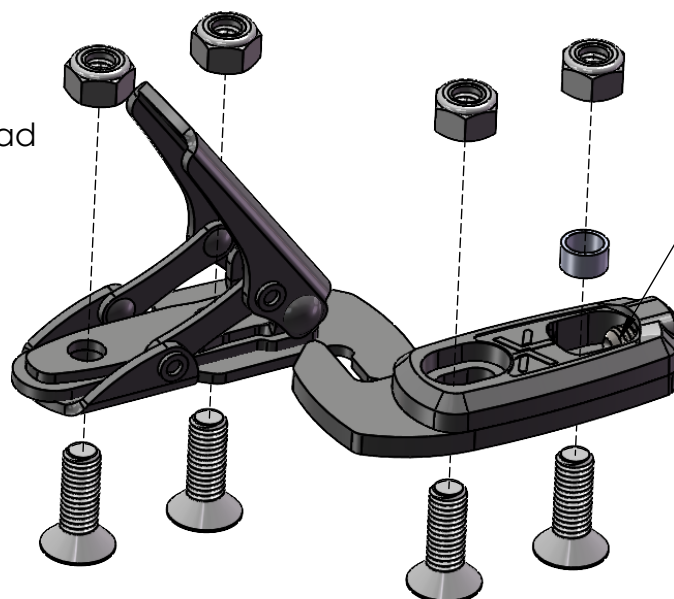
Adjust set screw to desired tension, then tighten hook hardware

### M5x15mm Thru Mount

**8x**  M5x15mm Flathead

**8x**  M5 Nylock Nut

**2x**  Standoff



Adjust set screw to desired tension, then tighten hook hardware

Tools Required:  
M3 Allen Key, 8mm Hex